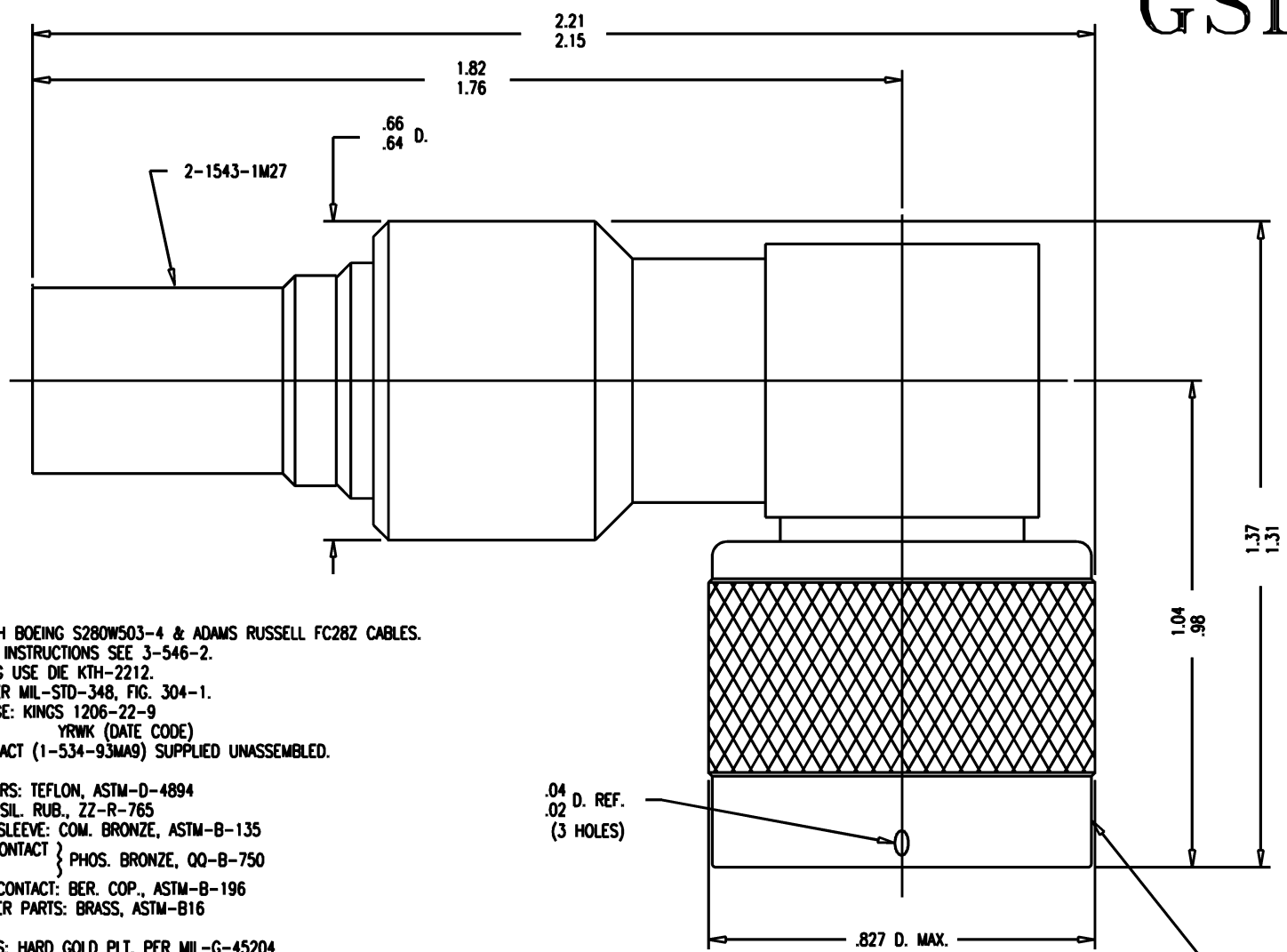


# GSD

1206-22-9



- NOTES:**
- FOR USE WITH BOEING S280W503-4 & ADAMS RUSSELL FC28Z CABLES.
  - FOR CABLING INSTRUCTIONS SEE 3-546-2.
  - FOR CRIMPING USE DIE KTH-2212.
  - INTERFACE PER MIL-STD-348, FIG. 304-1.
  - MARK PACKAGE: KINGS 1206-22-9  
YRWK (DATE CODE)
  - CENTER CONTACT (1-534-93MA9) SUPPLIED UNASSEMBLED.
  - MATERIALS:**  
INSULATORS: TEFLON, ASTM-D-4894  
GASKET: SIL. RUB., ZZ-R-765  
K-GRIP SLEEVE: COM. BRONZE, ASTM-B-135  
OUTER CONTACT } PHOS. BRONZE, QQ-B-750  
C-RING }  
CRIMP CONTACT: BER. COP., ASTM-B-196  
ALL OTHER PARTS: BRASS, ASTM-B16
  - FINISHES:**  
CONTACTS: HARD GOLD PLT. PER MIL-G-45204  
OUTER CONTACT: SILVER PLT. PER QQ-S-365  
ALL OTHER METAL PARTS: KINGS TARNISH RESISTANT NICKEL FINISH (TR-5)
  - ELECTRICAL CHARACTERISTICS:**  
NOMINAL IMPEDANCE: 50 OHMS  
VOLTAGE RATING: 1000 VRMS  
FREQUENCY RANGE: DC TO 11 GHz

**REVISIONS**

ISSUE	CHANGES
0	ER 34038 KH 08/19/92
1	CN 38323 E TML 06/18/01

WAS: KAM2123 1206229S

SCALE 4:1

APPROX SURFACE AREA

WAS: E-17522

USED ON

REF: BOEING

**PLUG, ANGLE, N**

DRAWN KH DATE 07/15/92

DESIGN JT DATE 07/17/92

APPR. DATE

**KINGS**  
ELECTRONICS CO., INC.  
TUCKAHOE, NEW YORK 10707

1206-22-9

# GSD